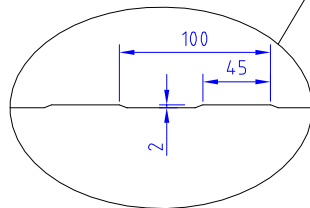
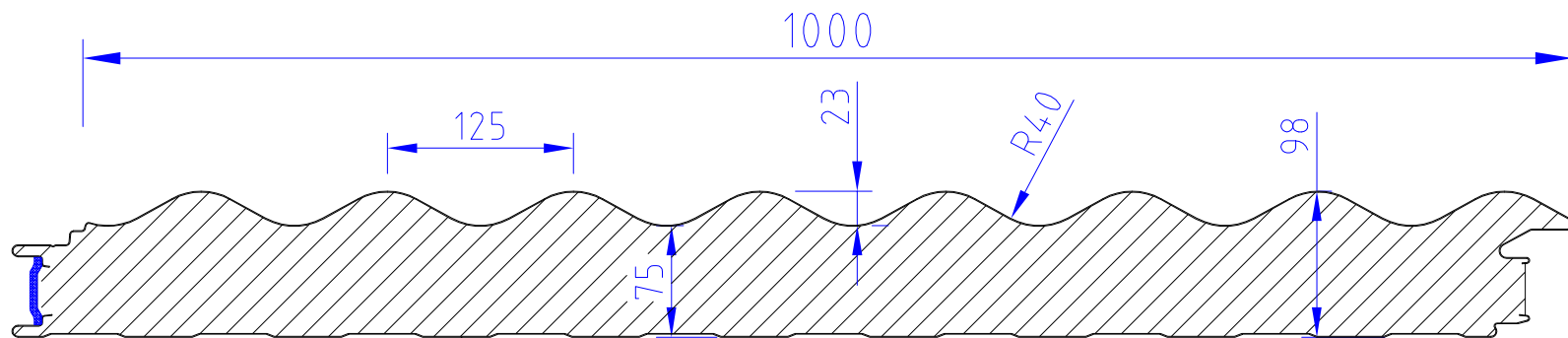
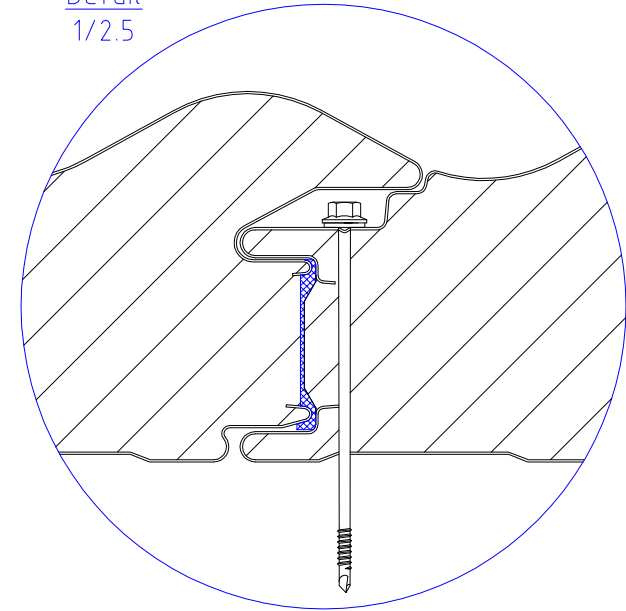
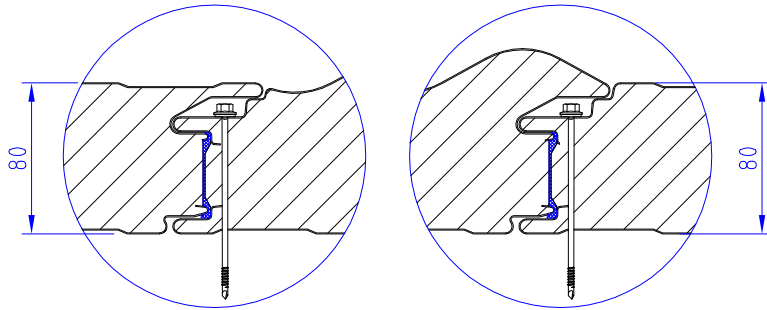


U-value same as JI Wall VB 80 according to EN14509
 FITS WITH JI WALL VB 80

Detail
 1/2.5



Scale 1:5		JORISIDE THE STEEL FUTURE
Design: HC	Nr. JI287	
Approval: KRV	Rev. -	JORIS IDE nv www.jorisode.be Hille 174; 8750 Zwevezele; Belgium Tel: 0032 (0) 51612 871 Fax: 0032 (0) 51612 700
Update: 04.07.12	-	
JI ONDUWALL 1000 -80		